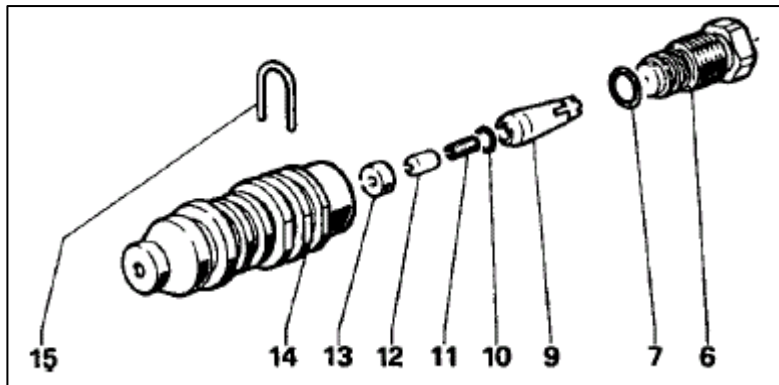


ROTIN



POS	REF	DESCRIPTION	QTY
6	10.0528.70	NIPPLE	1
7	90.3823.00	O-RING DIA 9,92X2,62	1
9	10.0560.02	ROTOR	1
10	90.3574.00	O-RING 6,07X1,78	1
11	98.6610.00	NOZZLE 125 COLOUR BIEGE	1
11	98.6615.00	NOZZLE 130 COLOUR ORANGE	1
11	98.6632.00	NOZZLE 135 COLOUR DK BLUE	1
11	98.6674.00	NOZZLE 140 COLOUR RED	1
11	98.6690.00	NOZZLE 145 COLOUR YELLOW	1
11	98.6725.00	NOZZLE 150 COLOUR LT BLUE	1
11	98.6756.00	NOZZLE 155 COLOUR WHITE	1
11	98.6780.00	NOZZLE 160 COLOUR BLACK	1
11	98.6820.00	NOZZLE 165 COLOUR PURPLE	1
11	98.6915.00	NOZZLE 170 COLOUR BROWN	1
11	98.6935.00	NOZZLE 175 COLOUR NEUTRAL	1
11	98.6963.00	NOZZLE 180 COLOUR GREEN	1
12	10.0456.09	HEAD (CERAMIC)	1
13	10.0455.09	SEAT (CERAMIC)	1
14	10.0526.51	KNOB	1
15	10.0527.66	CLIP	1